

9300- L Series

ELECTRONIC CHANGER

Operation and Service Manual



Table of Contents

Section 1: General Information

Introduction	3
For Your Records	3
After Unpacking	3
Model Explanations	3
Features	3
Specifications	4

Section 2: Installation

Installing the Changer	4
Optional Switch Settings	5

Section 3: Operation

Coin Recognition	6
Coin Separation	6
Rejected Coin	6
Accepted Coin	7
Credit & Accumulation	8
Vend	8
Change Storage	8
Correct Change Operation	9
Coin Payout	9
Escrow Return	9
Interface Between 9300-L/9302-L/9302-LF	9

Section 4: Maintenance

Routine Maintenance	11
Removing/Replacing Individual Module Assemblies	11
Cleaning	11
Disassembling Payout Base For Cleaning	12
Clearing Coin Jams	12

Section 5: Troubleshooting

Introduction	13
Troubleshooting Guide	13
9300-L/9302-L Interconnect	16
9302-LF Interconnect	17

Section 6: Modular Views

Modular View	18
Changer Housing	19
Payout Assembly	20
Logic Board Cover Assembly	21
Inventory Tube Assembly	21
Acceptor Front View	22
Acceptor Back View	23

Section 1: General Information

INTRODUCTION

This manual contains information on installing, operating and maintaining Coinco's 9300-L series coin changers which included:

- 9300-L 117 VDC
- 9302-L 24 VDC
- 9302-LF 24 VDC

This manual is intended for owners, route operators and shop-level technicians as a primary source for information. Taking the time to read this manual and become familiar with this information will help you obtain the best performance from your Coinco changer.

FOR YOUR RECORDS

A label indicating the coin changer model number and serial number is affixed to the side of the coin changer. Refer to the model and serial number when calling for information or service. The first four digits of the serial number contain the manufacturing date code which indicates the beginning of the warranty period.

Example: Serial number 260107053. The first and second digits indicate the week of manufacture, and the third and fourth digits indicate the year of manufacture.

AFTER UNPACKING

After unpacking the unit, inspect it for any possible shipping damage. If the unit is damaged, notify the shipping company immediately. Only the co-signee (the person or company receiving the unit) can file a claim against the carrier for shipping damage. We recommend that you retain the original carton and packing materials to reuse if you need to transport or ship your changer in the future.

If the coin changer is being stored or used as a spare, always keep it in its shipping carton when not in use. This will keep it clean and offer the best protection for the unit.

MODEL EXPLANATION

The 9300-L, 9302-L and 9302-LF logic changers have a vend price range determined by the vendor

electronic controller board. They pay out nickels, dimes and quarters from self-loading, high capacity coin tubes and accept U.S. nickels, dimes, quarters and dollar coins.

9300-L : 117 VDC logic changer; interfaces to an electronic vending machines through a 12 pin plug

9302-L : 24 VDC logic changer; interfaces to an electronic vending machines through a 12 pin plug

9302-LF : 24 VDC logic changer; interfaces to an electronic vending machines through a 15 pin plug

<p>CAUTION: DO NOT CONNECT A 24 VDC UNIT TO A MACHINE THAT IS WIRED FOR 117 VDC.</p>

FEATURES

- For use in electronically controlled vending machines only
- Select high or low quarter tube level by simply flipping a switch
- Dollar coins can be rejected or accepted by flipping a switch
- Heavy-duty D.C. payout solenoids provide fast, accurate payout
- Change capacity of \$40.55
- Lightweight, rugged plastic construction provides dependable, maintenance-free service
- Provides the fastest and most accurate coin acceptance of any electronic unit available today
- Pays out to the last coin in the changer tube to provide the maximum usage of a bill validator

Section 1: General Information

SPECIFICATIONS

Power Requirements

9300-L 117 volts (full wave rectified)
 95 to 130 volts at 1.0 amps max.
 +5 volts DC +/-0.25, 0.5 amps continuous

9302-L / 9302-LF 24 volts (full wave rectified)
 20 to 30 volts at 3.0 amps max.
 +5volts DC +/-0.25, 0.5 amps continuous

Operating Temperature

0° to 160° Fahrenheit
 -18° to 65° Celsius

Storage Temperature

-22° to 160° Fahrenheit
 -30° to 72° Celsius

Relative Humidity

20% to 98% Noncondensing

Physical Dimensions

Height: 14.81 inches
 (base to top of coin return lever)
 Width: 5.28 inches
 (acceptor latch to acceptor latch)
 Depth: 2.86 inches (gate closed)

Physical Weight in Shipping Carton

4 pounds

Coin Tube Capacity

	\$.05 Tube	\$.10 Tube	\$.25 Tube	
			LO \$.25 Option Switch Set to OFF Position	LO \$.25 Option Switch Set to ON Position
Low Sensor Level	7	9	7	7
Full Sensor Level	78	113	77	22
Hand Load Level	86	125	95	22

INSTALLING THE CHANGER

1. Remove power from the vendor.
2. Remove the acceptor from the changer by releasing acceptor latches and pulling the top of the acceptor forward, away from changer. Unplug ribbon cable from changer. Free lower acceptor studs from changer housing. With the acceptor removed, set key holes in back of changer housing over mounting screw in the vendor. Tighten snugly.
3. Set desired changer options (See Option Switch Settings).
4. Replace the acceptor by inserting bottom acceptor studs into changer housing guides. Plug the acceptor ribbon cable into the changer. Press top of acceptor into changer housing until top acceptor studs lock into changer's acceptor latches.
5. Plug changer into vendor socket.
6. Load coin tubes making sure all coins lie flat.
7. Apply power to the vendor.
8. Test changer with a variety of coins to ensure proper operation.

NOTE: SAVE THE COIN CHANGER CARTON. Always store coin changer in its shipping carton when not in use. This will keep the unit clean and protected.

Section 2: Installation

OPTION SWITCH SETTINGS

See Figure 2

1. Hinge acceptor down by releasing acceptor latches and pulling the top of the acceptor forward, away from the changer.
2. Located in the upper portion of the changer, behind the acceptor, is a single switch module containing three rocker switches. When the top of the rocker switch is pushed in, it is in the ON position. The switches correspond as follows:

SWITCH#	OPTIONS
A	NOT USED
B=LO\$.25	ON: Quarters are directed to cashbox once change tube has approximately 22 quarters OFF: Quarters are directed to cashbox once change tube is full
C=\$ACPT	ON: Dollar coins will be accepted OFF: Dollar coins will be rejected

3. Set option switches to desired setting.
4. Return acceptor to operating position making sure acceptor latches secure acceptor.
5. Test with a variety of coins to insure proper operation.

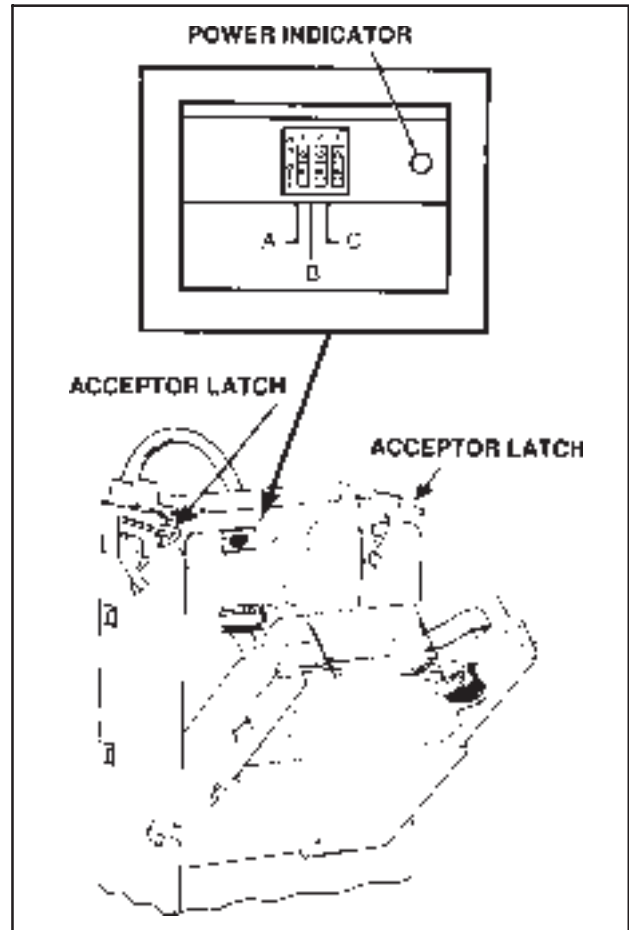


Figure 2

Section 3: Operation

COIN RECOGNITION

See Figure 3

As a coin enters the changer through the acceptor funnel, its impact is absorbed by a white ceramic rail which debounces the coin and allows it to continue down the coin rail at a smooth and steady speed. As a coin rolls down the rail, it passes between two sets of LED sensors which measure the speed and size of the coin. The coin also passes between two sets of coils which measure the metallic content of the coin. These measurements are used to determine if the coin is valid and the value (denomination) of the coin.

COIN SEPARATION

See Figure 3

After the coin's validity has been determined the coin rolls off the end of the coin rail and enters the separator section of the acceptor. The UPPER (coin tube) gate and the LOWER (cash box) gate are opened and closed by their respective solenoids. These solenoids are energized and de-energized by an electrical signal from the acceptor logic board based on the following criteria:

- the validity of the coin.
- the denomination of the coin.
- the status (full or empty) of the appropriate coin tube.

The positions of these two gates cause the coin to be routed to one of three places: the appropriate changer coin tube, the vendor cash box, or if the coin is rejected, the vendor coin return cup.

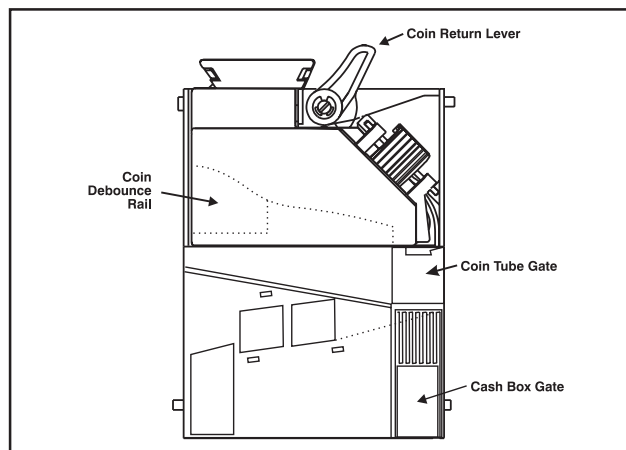


Figure 3

REJECTED COIN

See Figure 4

If a coin is rejected for any reason, both the UPPER (coin tube) and the LOWER (cash box) gate will remain closed. All rejected coins will drop into the vendor return cup via the coin changer coin return chute.

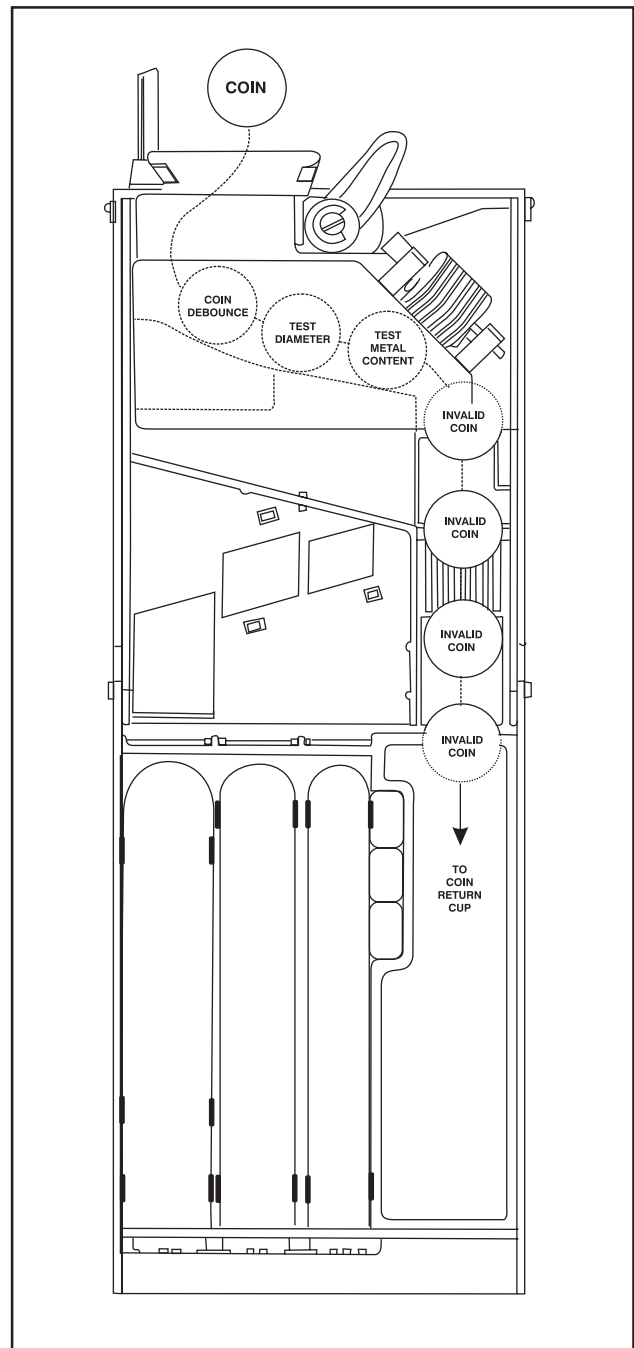


Figure 4

Section 3: Operation

ACCEPTED COIN

See Figures 5 & 6

An accepted coin will be routed to either the vendor cash box or to one of the changer coin tubes. The (FULL) sensors in each coin tube determine which route the coin will take. If the coin tube corresponding to the validated coin is full (full sensor covered by coins in change tube), the cash box gate will open, allowing the coin to drop into the vendor cash box via

the changer cash box chute. If the appropriate coin tube is not full (full sensor not covered by coins), the coin tube gate will open directing the coin down a ramp. Along the wall of the ramp are windows for entry into the coin tube. As the coin reaches a window of the appropriate size, it falls into the coin tube. All dollar coins are always directed to the cash box via the cash box chute.

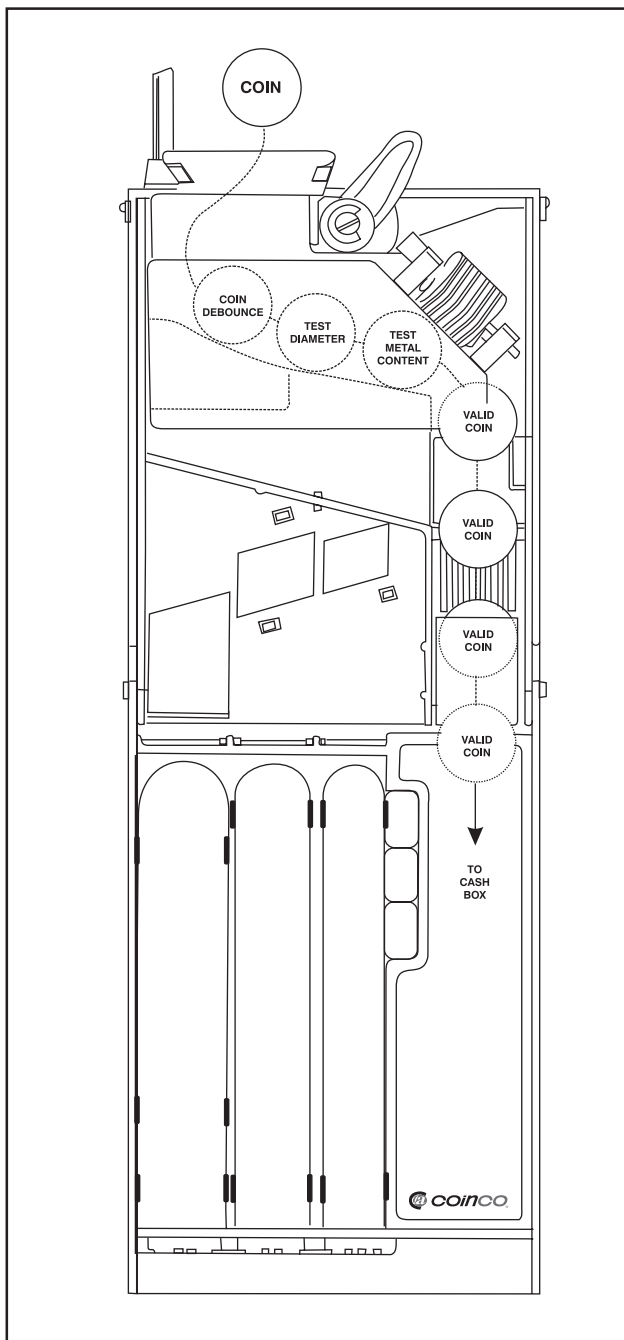


Figure 5

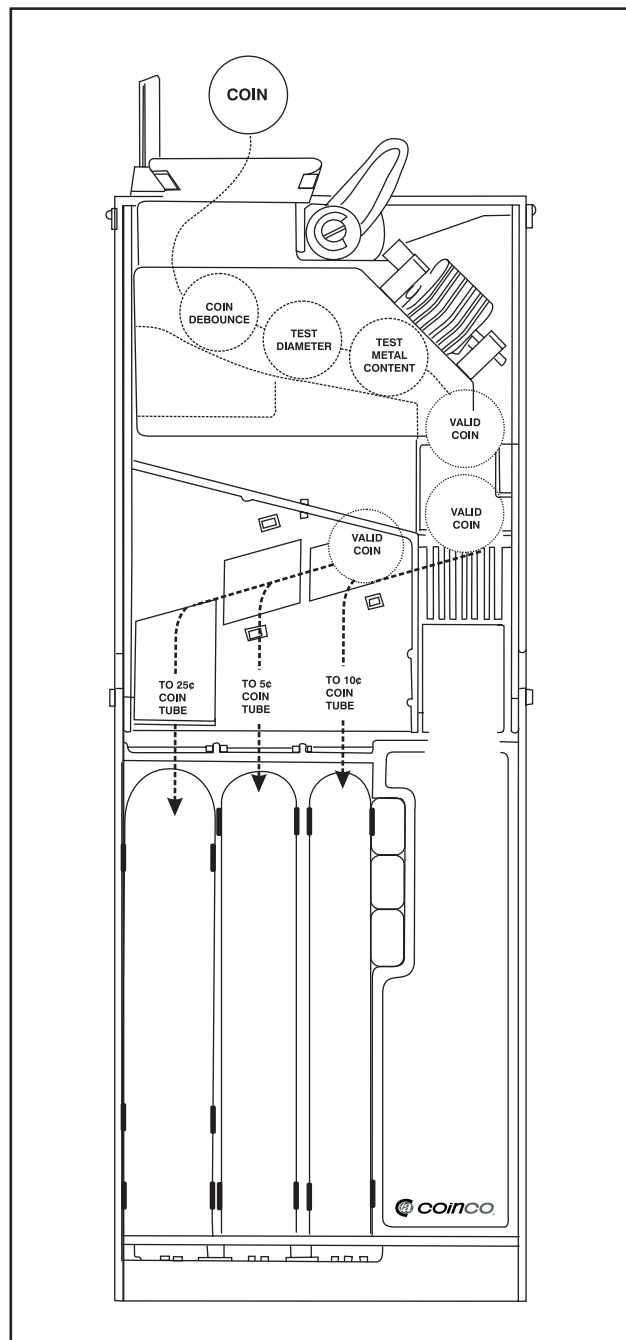


Figure 6

Section 3: Operation

CREDIT AND ACCUMULATION

See Figure 7

There are two sensors, one in the separation section of the acceptor and one in the cash box path of the acceptor. As coins pass either one of these sensors, the changer sends credit information to the vendor electronic controller where the coin credit is accumulated.

VEND

Vend is a function of the vendor electronic controller board. The vendor controller board accumulates all credit information received from the coin changer. As credit is accumulated in the vendor controller board, vend selections can be made when their respective vend price settings are equalled.

CHANGE STORAGE

See Figure 8

The low tube sensors in each coin tube continually report the (blocked / not blocked) coin level to the microprocessor. This information is used to determine the availability of change for change payback, escrow and exact change condition.

The full tube sensors in each coin tube continually report the (full / not full) status to the coin changer's logic board. The information is then used to determine the placement of the next accepted coin. This information controls the action of the acceptor coin tube and cash box gates.

EXAMPLE: If the quarter coin tube is full (full sensors blocked by coins) the acceptor coin tube gate will remain closed and the cash box gate will open each time a quarter is accepted, routing all quarters to the vendor cash box via the changer coin chute. After one or more quarters is paid out as change, leaving the full sensor exposed (quarter tube not full), the acceptor coin tube gate will open each time a quarter is accepted, routing quarters to the changer coin tube until it is full again.

NOTE: If the changer LO-\$.25 option switch is set to the on position, accepted quarters will be routed to the cash box when the (middle \$.25 tube sensor) is blocked by coins.

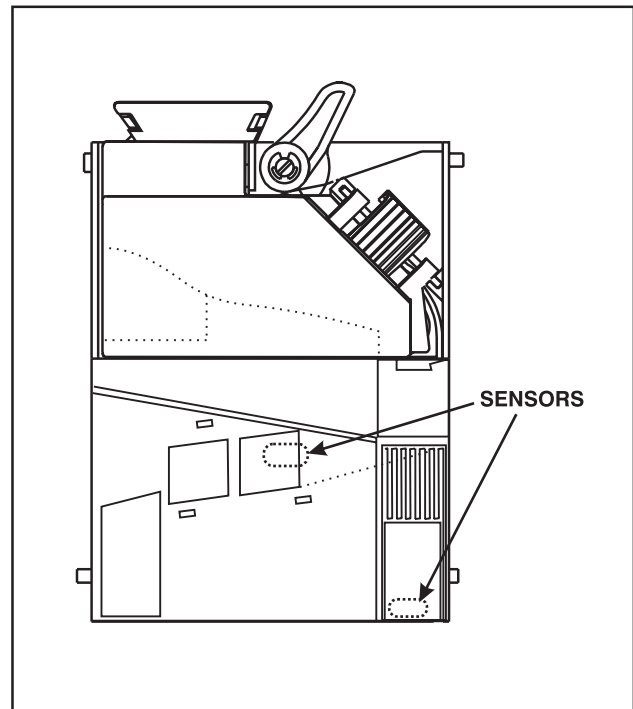


Figure 7

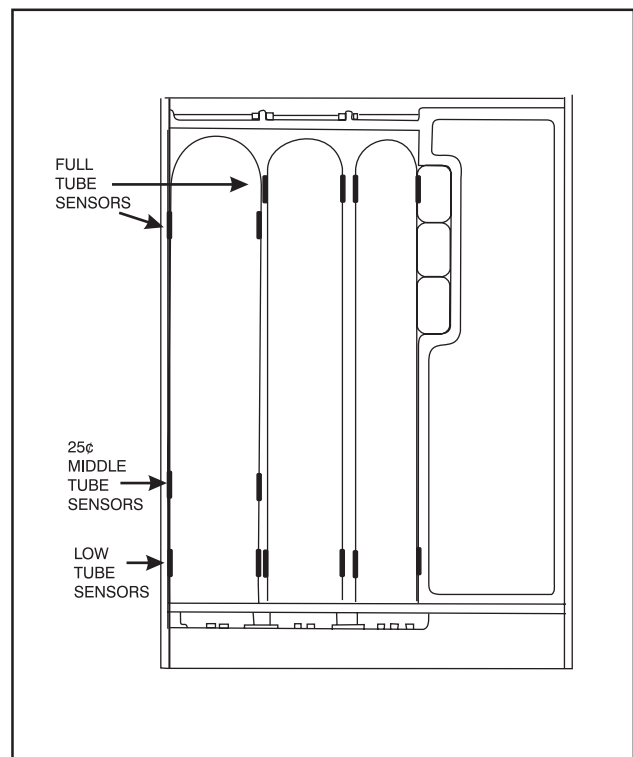


Figure 8

Section 3: Operation

CORRECT CHANGE OPERATION

The 9300-L, 9302-L and 9302-LF coin changers continually report the status of the low tube sensors to the vendor's controller board. The logic control for correct change is initiated by the vendor controller board.

COIN PAYOUT

Coins are paid out from the coin changer when a change payback is required or when either of the vendor's \$.05 - \$.10 - \$.25 dispense switches are manually operated. Coins are dispensed by DC solenoid-operated slides located at the bottom of each of the three coin tubes. These dispense solenoids are controlled by signals generated by the vendor controller board.

When a solenoid energizes, the upward motion of its plunger compresses a spring and draws the solenoid lever, which in turn pushes a payout slide forward. This loads the coin for payout. When the solenoid de-energizes, the spring force returns the plunger to its de-energized state, which returns the solenoid lever and payout slide, dispensing a coin. Coin payout rate is determined by the vendor electronic board.

ESCROW RETURN

Escrow return is a function of the vendor electronic controller board. Coins are always accepted regardless of the coin tube levels. (Exception: For dollar coins to be accepted, a minimum number of coins are required (low tube sensors blocked) for payback in the event of an escrow return request).

The value of each coin is accumulated in the vendor controller board. If a coin return is requested, a signal is sent to the appropriate dispense solenoid (s) to pay back coins of the same denomination. If a dollar coin has been accepted, change will be returned in the least number of coins possible if an escrow return is requested.

INTERFACE BETWEEN 9300- L / 9302-L / 9302-LF CHANGER AND CONTROLLER / VENDOR

See Figures 9 & 10

The interface connection for the 9300-L /9302- L / 9302-LF changers are shown in Figure 9. Figure 10 shows the interface between the 9300-L / 9302-L / 9302-LF and a vendor using an electronic controller board.

The changer transmits data to the external controller via its "interrupt" and "data" lines. The controller responds to these messages via its "send" line. These three lines from the serial data link between changer and controller. The controller/vendor supplies power to operate the changer via its four power lines. In addition, the controller has five control lines that authorize coin payout, enable/inhibit coin acceptance and reset the changer to its standby condition.

The following is the sequence of operations between the 9300-L / 9302-L / 9302-LF changer and the vendor controller:

When a coin enters the changer, an "interrupt" signal is sent on Pin #4 to inform the controller that the changer is ready to send credit information.

- When the controller receives this "interrupt" signal, it signals the changer via a "send" signal on Pin #3. This indicated to the changer that the controller is ready to accept "data."
- When the changer receives this "send" signal, it transmits a message on Pin #5 containing the following data:
 - Coin Value: 5¢, 10¢, 25¢ or \$1.00
 - Coin Tube Status: low level sensors are covered/not covered
 - Coin Direction: to the coin tube or cash box

Section 3: Operation

- If a coin is rejected, or there is a problem in the changer, certain default messages are sent to the controller on the “data” line. They are as follows:
 - Slug: coin entered but was not accepted. (Coin tube/cash box gate did not open).
 - No strobe: coin was accepted but did not actuate strobe. (Could indicate jam or defective strobe).
 - Dollar coin rejected due to insufficient coins in the coin tubes.

- Defective sensor in coin tubes.
- Power Up: indicated on coin changer was just reset or powered up.

When sufficient credit has been established in the controller to enable a vend and a vend is made, the controller performs the change making logic and sends control signal (s) to operate the appropriate 5¢, 10¢ or 25¢ dispense solenoids in the changer for change (if needed).

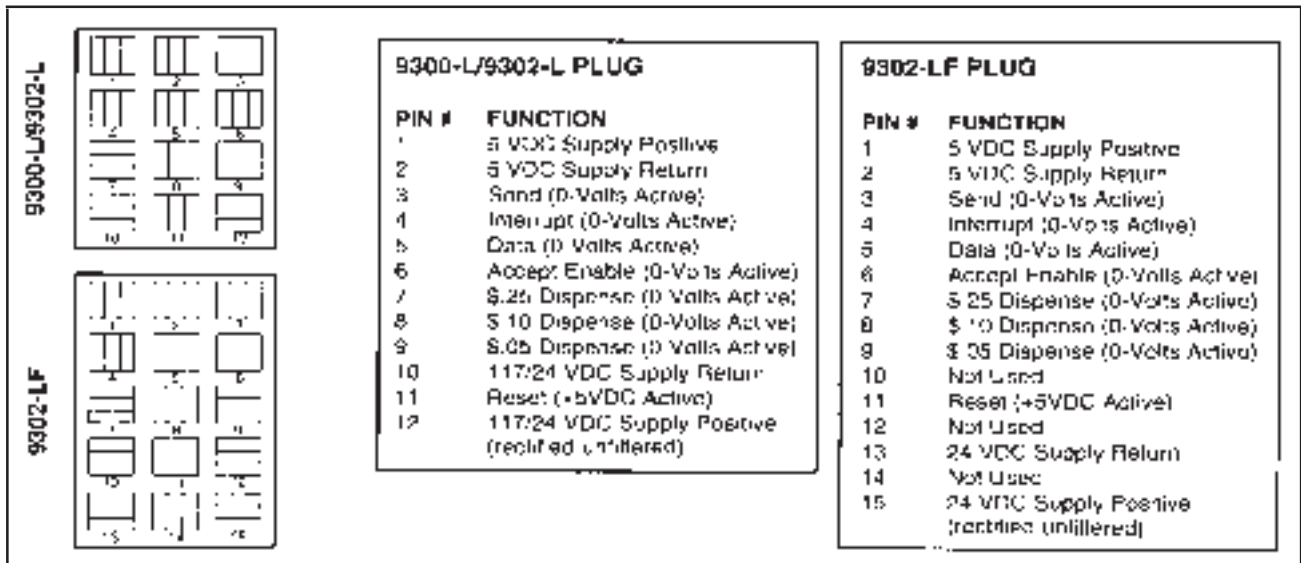


Figure 9

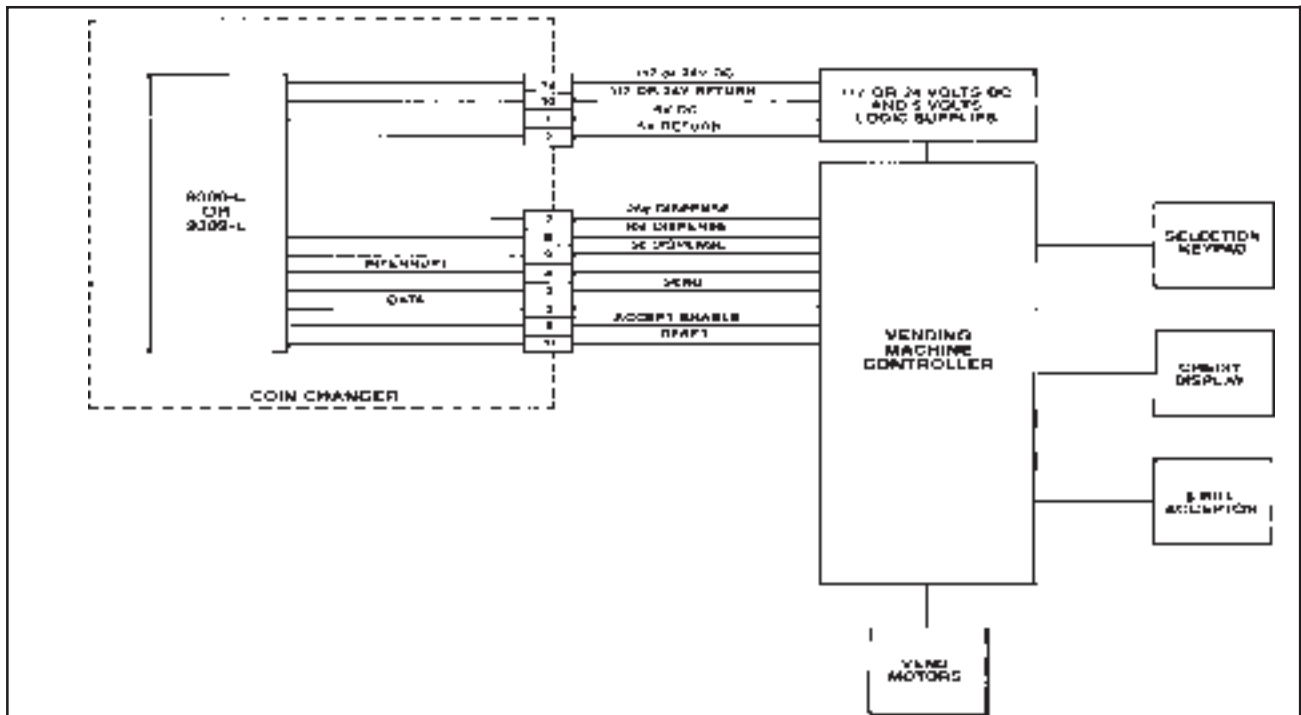


Figure 10

Section 4: Maintenance

ROUTINE MAINTENANCE

Routine maintenance will improve performance and extend the working life of the 9300-L Series changer and reduce the need for more involved repairs. Frequency of routine maintenance will depend on environment and number of transactions.

The coin changer should be kept in its original shipping carton when not in use. This will keep the changer clean and provide the best protection for the unit.

REMOVING/REPLACING INDIVIDUAL MODULE ASSEMBLIES

Modular assembly replacement provides the basis of all 9300-L Series changer repair. Instructions for removing and replacing modules are provided below. These modules should be removed in the following sequence:

Acceptor

To remove the acceptor, raise the two acceptor latches and pull the top of acceptor forward and away from the changer housing. Unplug acceptor ribbon cable from main logic board. Raise acceptor and pull outward until the acceptor clears the housing slots.

Coin Tube and Sensor Assembly

Remove the logic board cover by inserting a straight tip screwdriver in the slot above the tube assembly. Twist the screwdriver to release the cover.

Unplug tube sensor ribbon cable from logic board. Spread the lower part of the housing slightly and pullout on tube assembly. To separate the coin tube assembly from the tube sensor board assembly, place the assembly face down. While freeing the four locking tabs, pull up on tube sensor board. Be careful not to damage sensors on logic board.

Main Logic Board Assembly

Unplug payout solenoids, and main harness assembly from logic board. Lift logic board out of housing.

Payout Assembly

With payout solenoids disconnected from main logic board, remove the four screws - two from each side - at the bottom of the housing. Separate payout assembly from changer housing by releasing cash box chute locking tab on back of changer housing and pulling downward on payout assembly.

CLEANING

See Figure 12

Your 9300-L Series changer is made of a high-quality industrial grade plastic which should only be cleaned with a warm water and mild detergent solution.

CAUTION:

- *Never submerge changer in water.*
- *Do not use petroleum solvents, steel wool, scouring pads, or a metal brush for cleaning.*
- *Do not spray any part of changer with any type of lubricant.*

Since all coins share a common coin ramp, heavy usage or a dirty environment can result in dirt build up. To clean the coin ramp, lift the acceptor gate upward and diagonally to the right. Hold gate firmly to prevent it from snapping back. Wipe the exposed coin ramp and inner surface with a damp cloth. For excessively dirty units, use a damp cloth with a mild detergent. **NOTE:** *Do not submerge in water.*

For detailed cleaning of the acceptor, remove the front cover by pulling out and down on the front cover. Now remove the back cover by pushing in on two locking tabs on the side of the acceptor. To remove the coin sorting rail, snap the coin sense coils from the sorting rail and the cash box exit, being careful not to break coil wires. Free coil wires from the clip on the sorting rail. Now from the front of the acceptor, in area exposed by removing the front cover, locate the three locking tabs which secure the sorting rail. Using a small straight tip screwdriver, free the three locking tabs and remove sorting rail.

Section 4: Maintenance

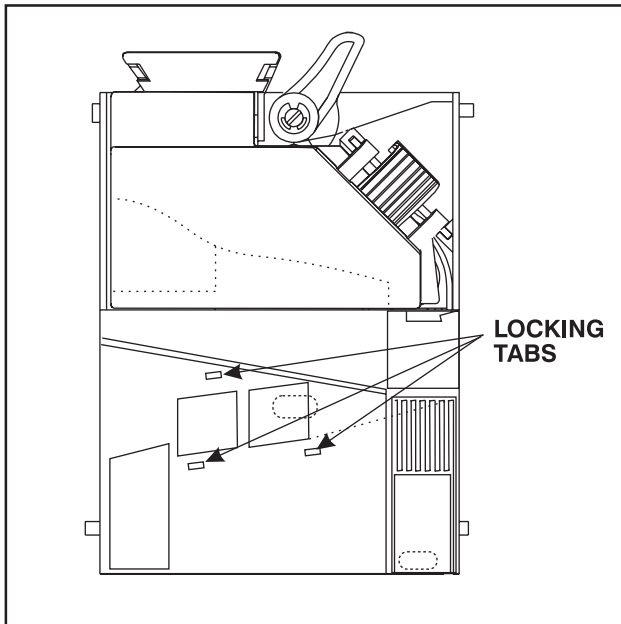


Figure 12

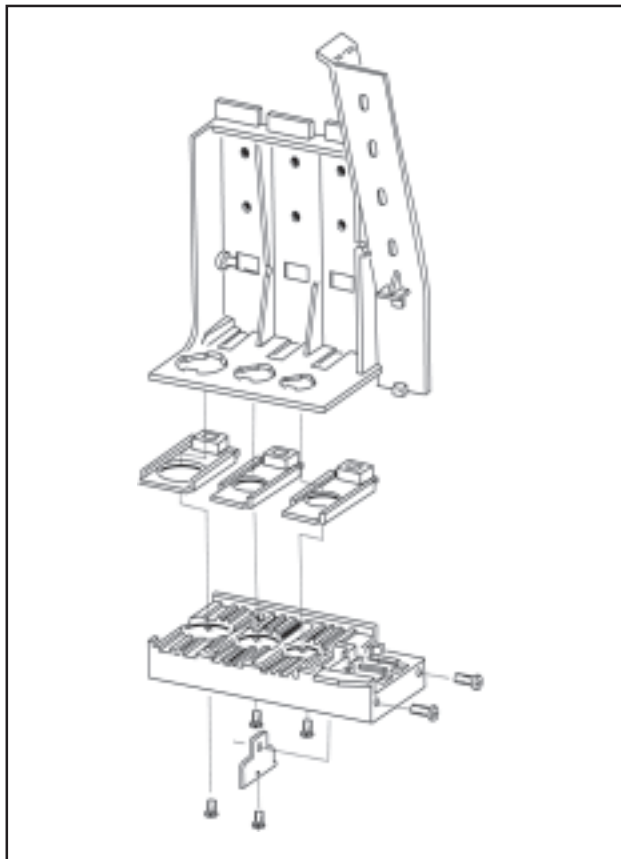


Figure 13

DISASSEMBLING PAYOUT BASE FOR CLEANING

See Figure 13

Remove the four Phillips head screws from the bottom plate. Remove bottom plate and individual slides. Clean parts with mild detergent and hot water as desired.

DO NOT SUBMERGE SOLENOIDS IN WATER.

Replace slides making sure part numbers face up into changer. With the slides correctly seated on plunger tabs, reinstall the bottom plate, securing with bottom screws. Reinstall payout module into changer, securing with side screws.

CLEARING COIN JAMS

Should a coin jam occur in the cash box chute area, use the following steps to help dislodge coins:

1. Remove changer from vendor.
2. Keeping changer in an upright position, insert a narrow screwdriver into cash box chute or reject chute from bottom of changer to relieve jam.

CAUTION: EXCESSIVE SCREWDRIVER PRESSURE OR TWISTING CAN CAUSE PERMANENT DAMAGE TO THE COIN CHANGER.

Section 5: Troubleshooting

INTRODUCTION

The Troubleshooting Guide on the following pages is intended to help locate problems within the coin changer. If a changer cannot be repaired by following the guide, return the changer to the nearest Coinco Service Center for repair. If it is necessary to return the changer to Coinco, please accompany the changer with a brief description of the malfunction to help expedite the repair and return of the changer.

The vendor electronic controller board is in constant communication with the 9300-L / 9302-L / 9302-LF coin changer. The electronic controller board not only supplies operating voltage to the coin changer but is largely responsible for the function of the coin changer (Refer to Section 3, Figure 9).

Logic troubleshooting minimizes time spent in removing and replacing modules that are not defective. Some failures are caused by minor problems such as loose or faulty connections.

Please check the following before replacing any parts:

- Connectors are inserted correctly.
- Connector pins are not bent or broken.
- All wires are properly secured.
- Inventory tubes are filled to their correct levels.

***NOTE:** The following Troubleshooting Guide is based on the fact that the tester or vendor, with which the defective changer is being tested, functions properly when used with a known good changer.*

This guide is not intended to cover all failures, but to cover the most common failures.

9300-L SERIES TROUBLESHOOTING GUIDE

TROUBLE	POSSIBLE CAUSE	PROCEDURE	REMEDY
No coin acceptance	No power	Make sure changer is plugged into vendor	Plug changer into vendor
	Acceptor	Check power/blocker LED behind acceptor. If LED in ON, replace acceptor with good acceptor and test. If changer functions properly	Replace acceptor
		If still no coin acceptance	Replace changer main logic board
		If still no coin acceptance	Replace changer main power harness
		If power/blocker LED is off, check to see that acceptor cable and changer power harness are properly connected to changer main logic board.	Plug acceptor cable and/or changer power harness into changer main logic board

Section 5: Troubleshooting

9300-L SERIES TROUBLESHOOTING GUIDE			
TROUBLE	POSSIBLE CAUSE	PROCEDURE	REMEDY
		If still no coin acceptance	Replace changer main logic board
		If still no coin acceptance	Replace changer main power harness
No coin acceptance or rejects percentage of good coins	Coin return lever Acceptor is dirty or foreign matter in coin accept path	Make sure changer is mounted correctly and coin return lever is in proper position Check to see that acceptor coin path is clean and free of foreign matter If still rejects good coins If still rejects good coins	Reposition changer and/or vendor coin return lever Clean acceptor and remove any foreign matter Replace acceptor Replace changer main logic board
Accepts coins but gives no/or erratic credit	Acceptor	Replace acceptor with good acceptor and test. If changer functions properly If still no/erratic credit If still no/erratic credit	Replace defective acceptor Replace changer main logic board Replace changer main power harness
Accepted coins always go to cash box	Tube sensor board or acceptor	Check the sensor board for loose or broken components. Make sure tube sensor board is properly secured to tube assembly. Check cable from sensor board for damage or improper connection If coin still goes to cash box, replace acceptor with good acceptor and test. If changer functions properly If coin still goes to cash box	Replace tube sensor board Replace acceptor Replace changer main logic board

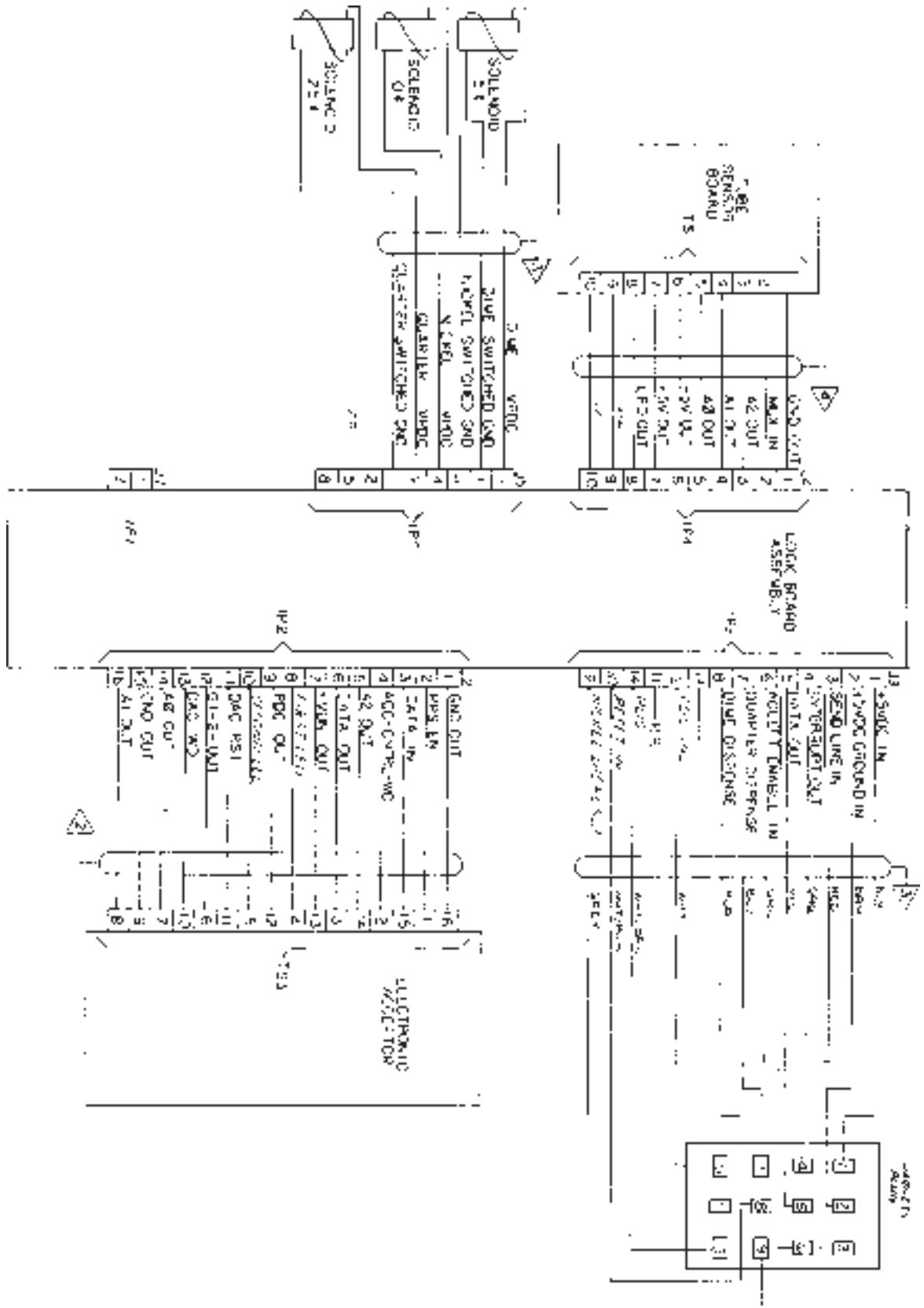
Section 5: Troubleshooting

9300-L SERIES TROUBLESHOOTING GUIDE			
TROUBLE	POSSIBLE CAUSE	PROCEDURE	REMEDY
Accepted coins always go to coin tubes	Coin tube gate in open position	Remove acceptor back cover, check solenoid for free operation	Replace acceptor
	Tube sensor board	Replace tube sensor board with good tube sensor board and test. If changer functions properly	Replace tube sensor board
		If coins still go to coin tubes	Replace changer main logic board
Accepted quarters go to quarter coin tube when Lo-\$.25 switch is ON	Quarter coin tube has less than 22 quarters	Check to see that quarter coin tube has a minimum of 22 quarters	Fill quarter coin tube with 22 quarters to cover Lo-\$.25 sensor
	Tube sensor board	Replace tube sensor board with good tube sensor board and test. If changer functions properly	Replace tube sensor board
		If coins still go to quarter tube	Replace changer main logic board
Credits coins but does not escrow	Coin return lever	Make sure changer is mounted correctly and acceptor gate opens when vendor coin return lever is operated	Reposition changer and/or vendor coin return lever
	Acceptor	Replace acceptor with good acceptor and test. If changer functions properly	Replace defective acceptor
		If still no escrow	Replace changer main logic board
No payout	Payout solenoid	Make sure solenoid wires are properly connected to changer main logic board	Plug solenoid wires into logic board
		If still no payout, replace solenoid with good solenoid and test. If changer operates properly	Replace defective solenoid
		If still no payout	Replace changer main logic board
		If still no payout	Replace changer main power harness

Section 5: Troubleshooting

9300-L / 9302-L Wiring Diagram

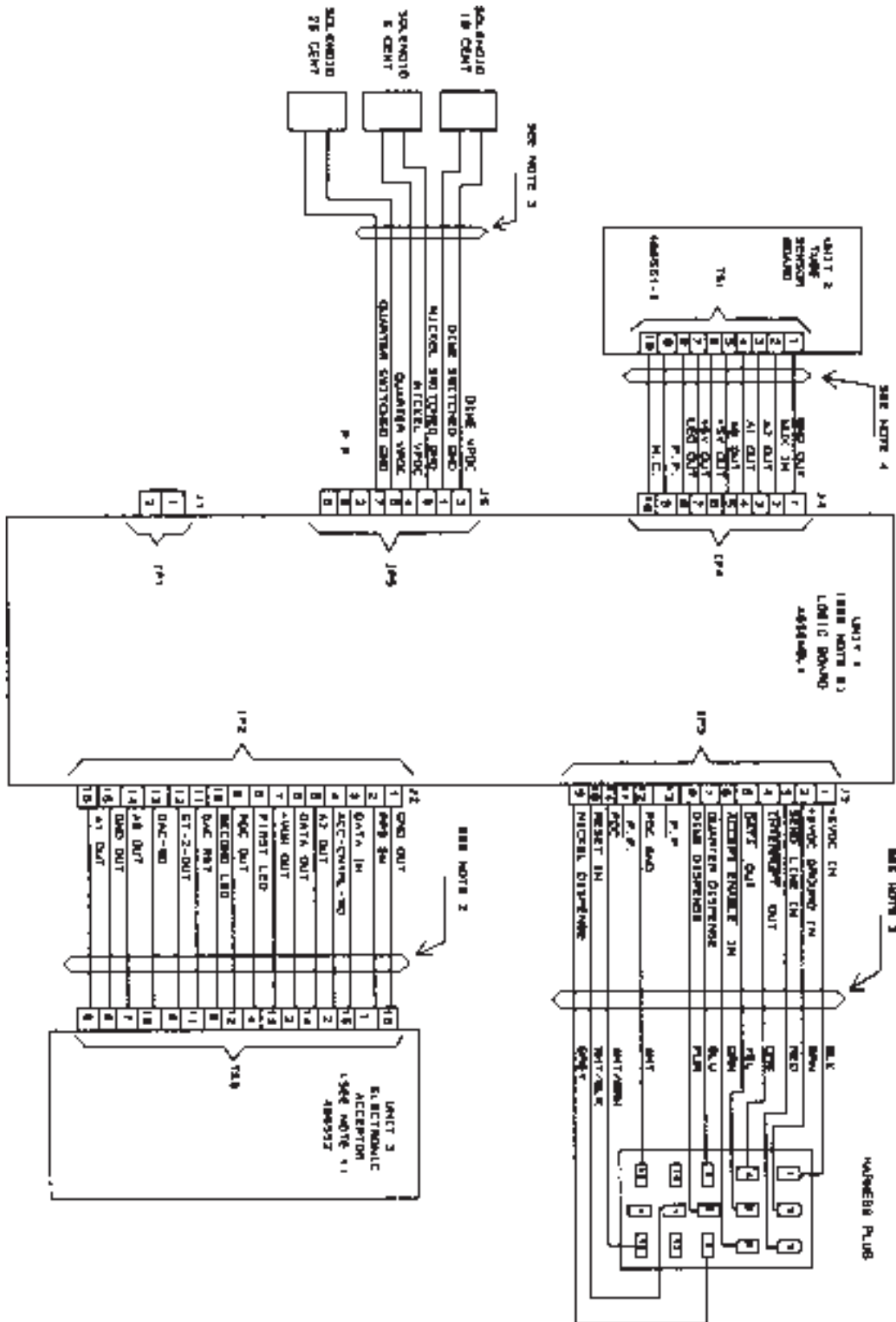
Figure 14



Section 5: Troubleshooting

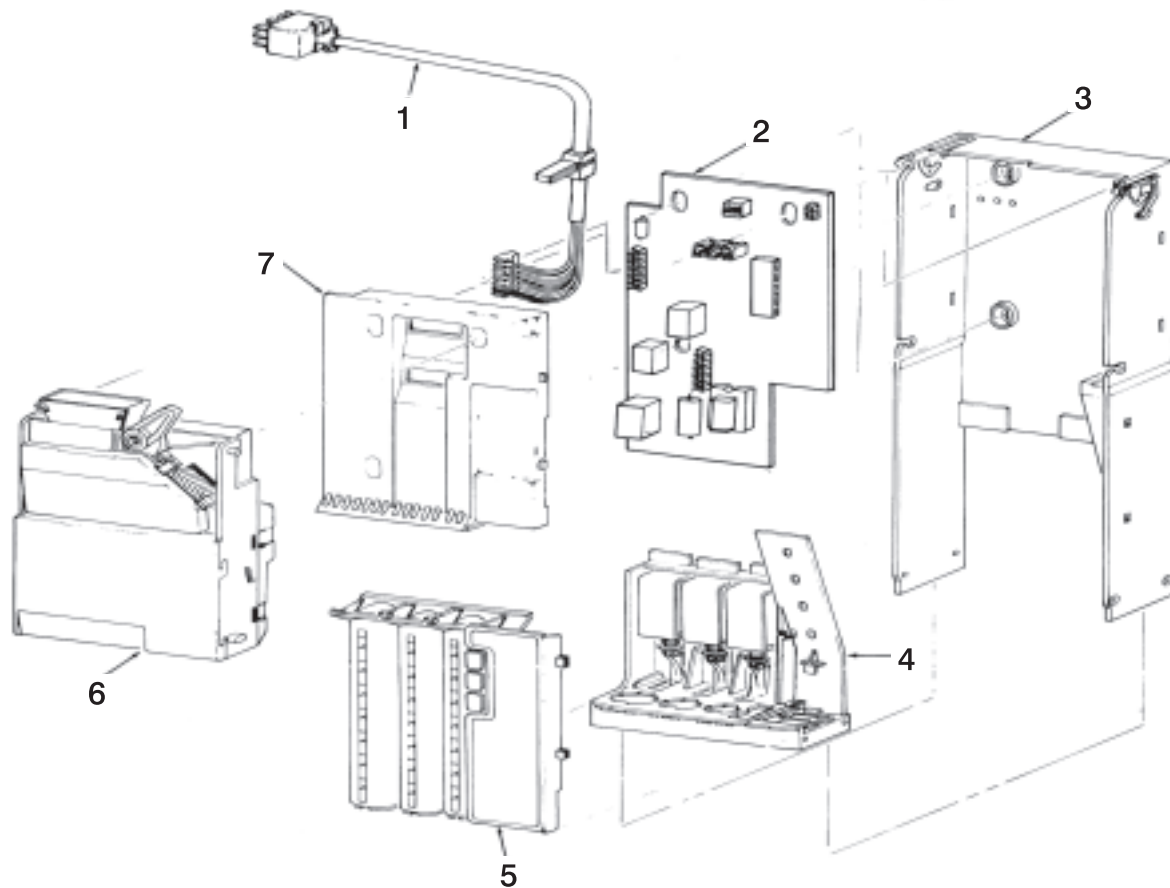
9302-LF Wiring Diagram

Figure 15



Section 6: Exploded Views

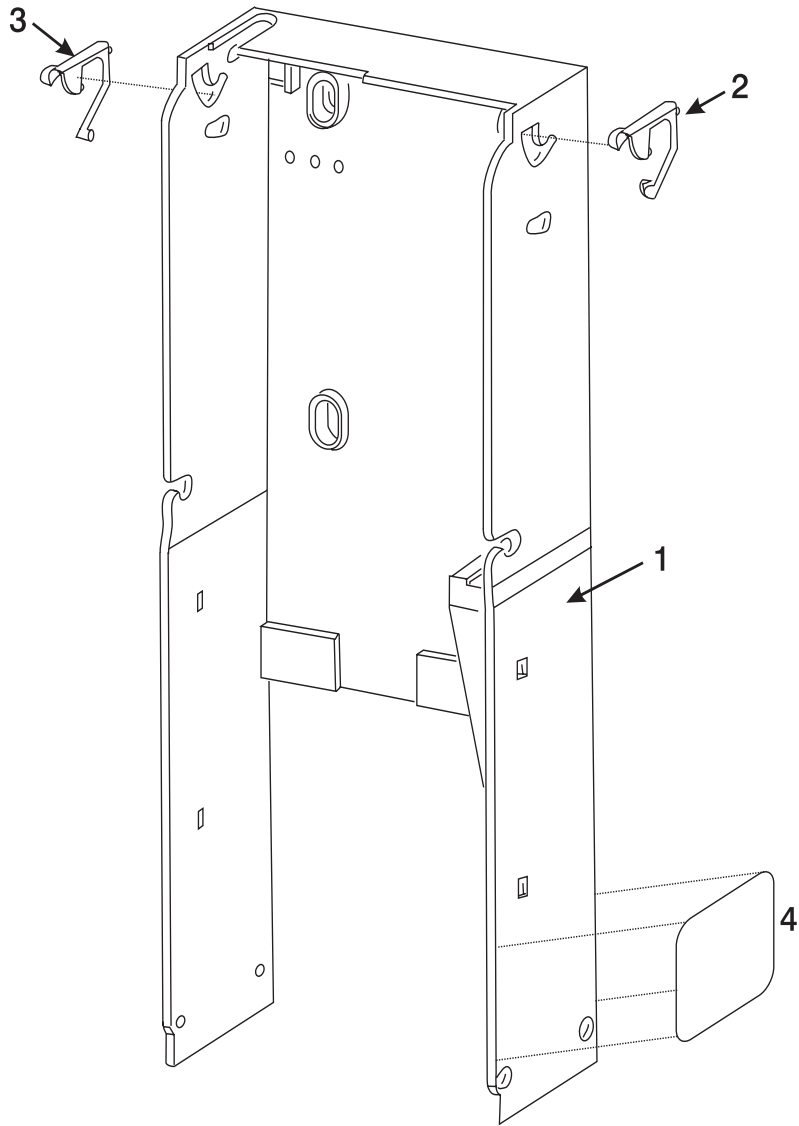
Modular View 9300-L Series Changers



Item No.	Part No.	Description	Qty.	Note
1	406618 406618-1	Harness 9300-L/9302-L Harness 9302-LF	1	
2	406848-4 406848-3 406849-6 406849-5	Logic Board 9300-L Logic Board 9300-L Logic Board 9302-L/LF Logic Board 9302-L/LF	1	Gray Connector Black Connector Gray Connector Black Connector
3	922331	Changer Housing	1	
4	407978-3 407978-4	Payout and Housing Assembly 117 volt (9300-L) Payout and Housing Assembly 24 volt (9302-L/9302-LF)	1	Includes #3 Includes #3
5	406728-9	Inventory Tube Assembly	1	
6	407755-4 407755-1	Acceptor Acceptor	1 1	Gray Connector Black Connector
7	408038-1	Logic Board Cover Assembly	1	

Section 6: Exploded Views

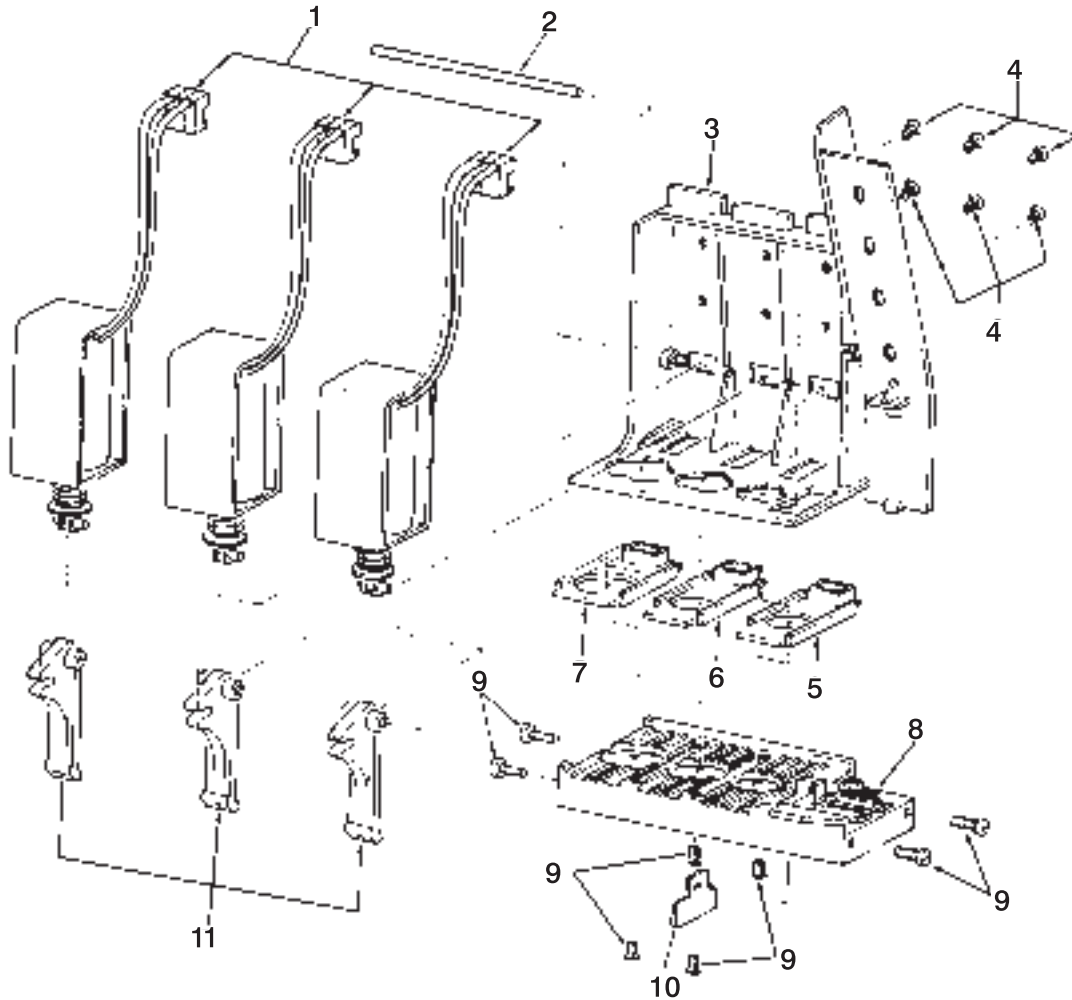
Changer Housing



Item No.	Part No.	Description	Qty.	Note
1	922331	Housing (only)	1	
2	902011-1	Acceptor Latch, Right	1	
3	902010-1	Acceptor Latch, Left	1	
4	909729	Label, Identification	1	

Section 6: Exploded Views

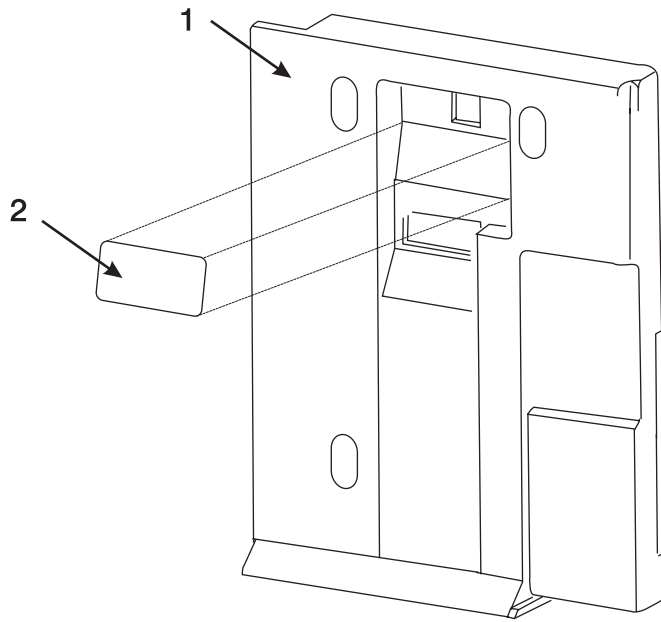
9300-L Payout Assembly 9302-L Payout Assembly



Item No.	Part No.	Description	Qty.	Note
1	406607-1 406607-4	Solenoid Assembly, 110VDC Solenoid Assembly, 24VDC	3	
2	909113	Pivot Shaft	1	
3	909141	Upper Payout Base	1	
4	909630	Screw, 6-32 x 3/16 FH Uncut blk	6	
5	909105	10¢ Payout Slide	1	
6	909104	5¢ Payout Slide	1	
7	909103	25¢ Payout Slide	1	
8	909102-1	Lower Payout Base	1	
9	345P4R7	Screw, 4 x 7/16 PH PHL PLAS, blk	8	
10	909135	Coin Return Liner	1	
11	909106	Solenoid Lever	3	

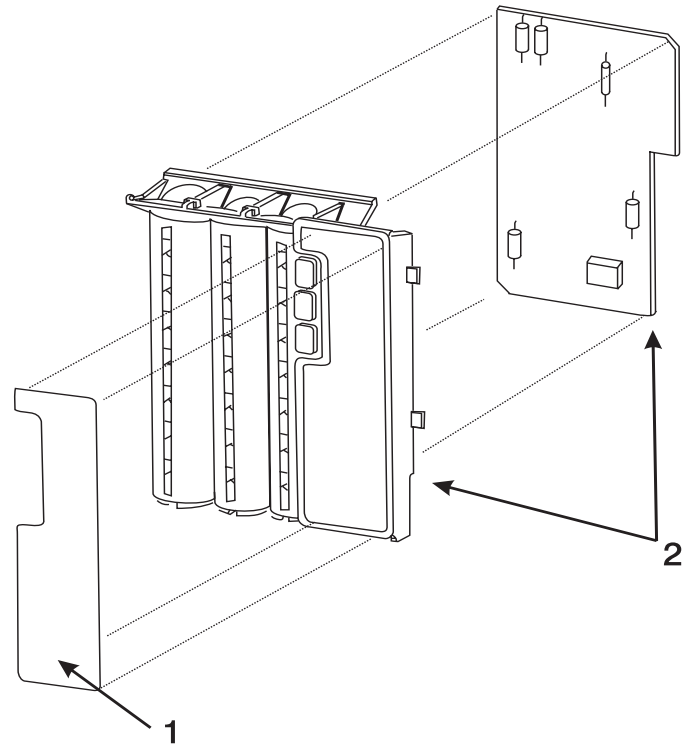
Section 6: Exploded Views

**Logic Board Cover
408038-1 Assembly**



Item No.	Part No.	Description	Quantity
1	922332-3	Logic Board Cover	1
2	910889-2	Label Switch Options	1

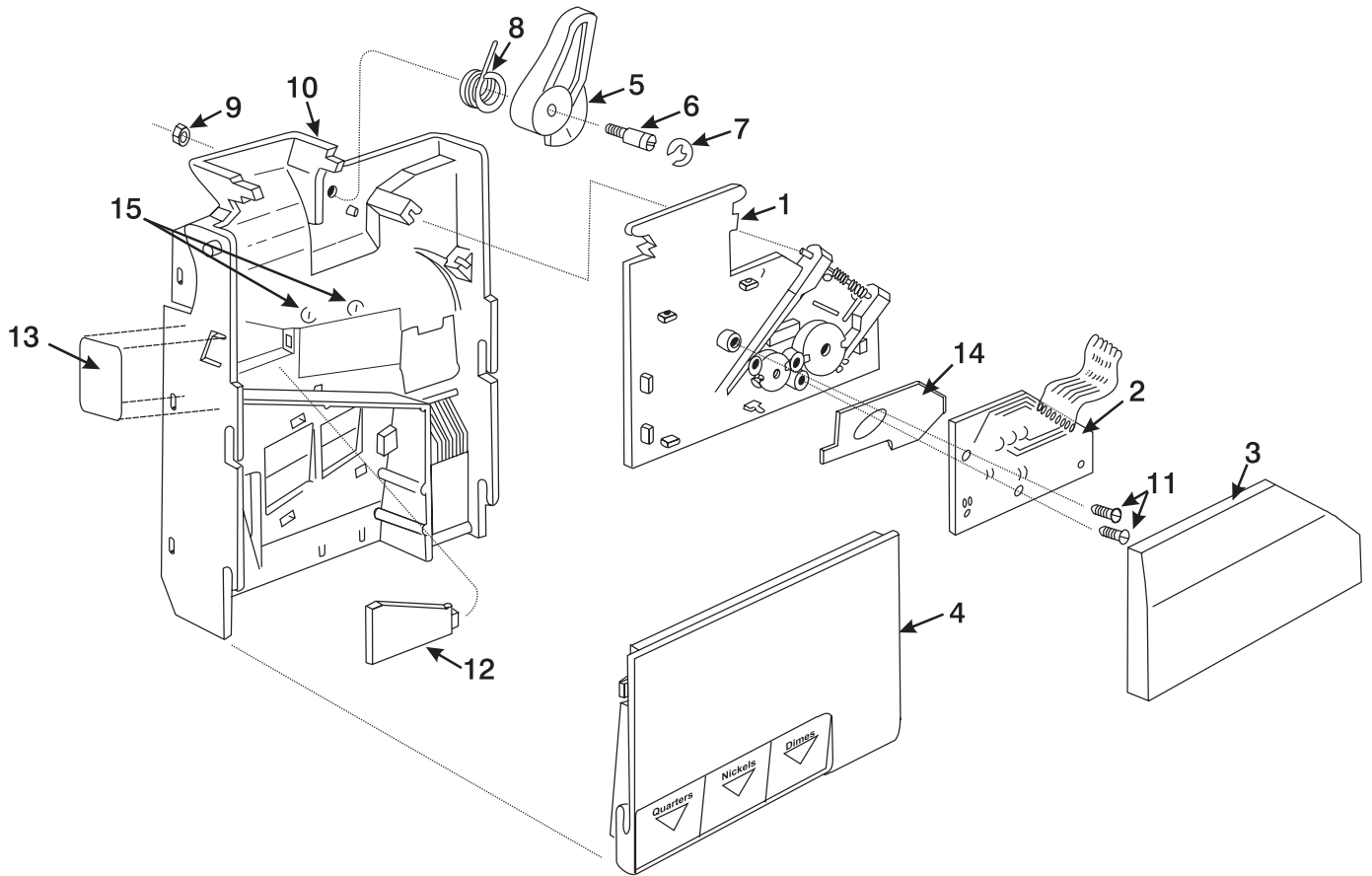
**Inventory Tube
Assembly**



Item No.	Part No.	Description	Quantity
1	909115-2	Inventory Tube Label	1
2	406728-9	Inventory Tube & Board Assembly	1

Section 6: Exploded Views

Acceptor Front View 407755-4 Assembly

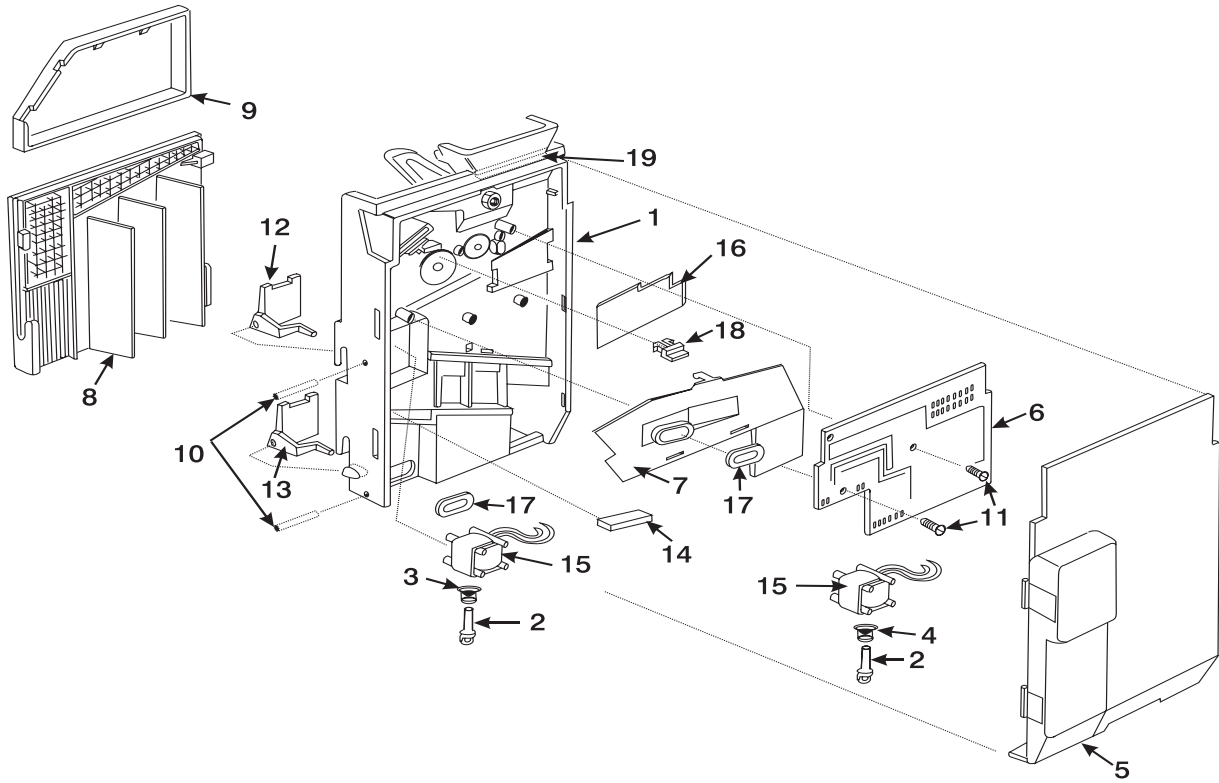


Item No.	Part No.	Description	Quantity
1	406184-2	Gate & Coil Assy.	1
2	406567	Gate Bd. Assy. LED	1
3	906596-1	Cover	1
4	909095-2	Front Cover	1
5	906606-1	Operating Lever	1
6	906624	Screw, Gate Lever Pivot	1
7	751S21X	Retaining Ring	1

Item No.	Part No.	Description	Quantity
8	906618	Spring, Oper. Lev.	1
9	400-8	Nut, 8-32 Lock	1
10	406611	Mainplate & Coil Assy.	1
11	345-4R5	Screw, 4x5/16 PH	2
12	906616	Coin Rail	1
13	923995	Acceptor Label	1
14	923984	Gate Core Foam	1
15	921625	1/4" LED Labels	4

Section 6: Exploded Views

Acceptor Back View 407755-4 Assembly



Item No.	Part No.	Description	Qty.
1	406611	Mainplate and Coils	1
2	406167	Plunger and Yoke Assy.	2
3	906619-2	Spring, Copper-Plated	1
4	906619-1	Spring, Nickel-Plated	1
5	909096-1	Back Cover	1
6	407506-23	Board Assy/9300 Acceptor/Coinpro	1
7	406612-1	Rear Chute and Coil Assy.	1
8	909095-2	Front Cover	1
9	906596-1	Gate Cover	1
10	906622-2	Pin, Diverter Pivot	2
11	345S4R7	Screw, 4 x 7/16 PH	2
12	906600-1	Diverter Door, Upper	1
13	909092	Diverter Door, Lower	1
14	909853-1	Coin Rail	1
15	406857-3	Solenoid Assy.	2
16	922609	Mainplate Foam	1
17	406613-1	Coin Assembly, Sensing	2
18	908845-1	Plug, Spring Retention	1
19	921624	PVC Foam	1



COIN ACCEPTORS, INC.
300 Hunter Avenue
St. Louis, MO 63124-2013
(314) 725-0100 or (800) 325-COIN

Coinco Publication No. 925306 Rev. 1
8/01 Printed in the U.S.A.